

# Instruction Manual



Congratulations on the purchase of **Omegon® 2.1x42 wide-field binoculars for star field observing**. These special binoculars provide 26 degrees of field of view, which allow seeing huge portions of the night sky. This is great to identify constellations, and effectively increase by a few magnitudes what the naked eye cannot see.

## 1.1 What is included?

- 1- Binoculars 2.1x42;
- 2- Strap;
- 3- Pouch;
- 4- Cleaning cloth.

## 1.2. Features (fig. 1)

- 1- Individual eyepiece adjustment;
- 2-  $\frac{1}{4}$ "-20 threads for tripod L-Bracket;
- 3- Full aperture 42mm diameter fully multi-coated objective (and eyepiece) lenses;
- 4- Light delete threads.

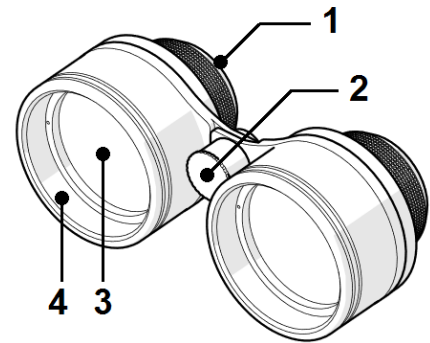


Figure 1. Features.

## 2. What to do before starting to use your new binoculars?

**2.1. Adjust the interpupillary distance.** Each person has a different interpupillary distance. This is the distance between both eyes. The binocular needs to be adjusted before use. Adjustment ranges between 55-75mm. To adjust move the two lens barrels further/closer apart. The correct interpupillary distance is the one that provides light entering simultaneously to both eyes, it also provides comfortable viewing and an over-imposed image of the observed object with both eyes.

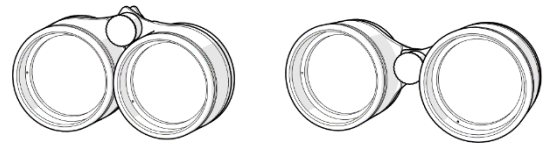


Figure 2. Adjusting the interpupillary distance.

**The binoculars have 42mm in aperture and only 2.1x magnification providing an exit pupil of 19mm. Considering a human has (at most) 7mm exit pupil there is some light loss. True, but this is the trade-off in the optical construction to get such wide fields of view.**



Figure 3. Eyepiece adjustment (focusing).

**2.2. Focusing.** The eyepieces can be individually adjusted. Rack the eyepieces (both) all the way out. During the day, look for a target far away and start by slowly racking-in to achieve focus (the image starts to form). Adjust each eyepiece to each eye individually. For night use small adjustments may be required.

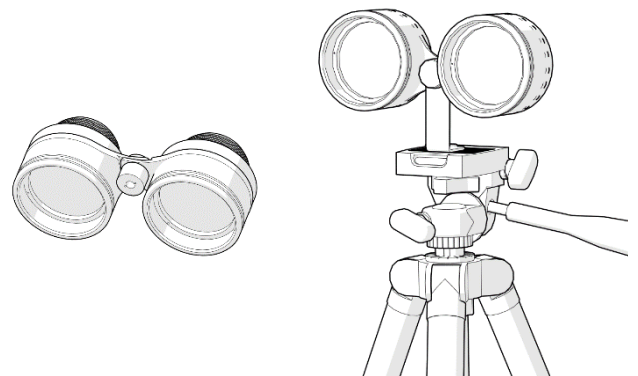


Figure 4. Binoculars with L-Bracket and tripod (both not supplied).

**2.3. Using a tripod.** The  $\frac{1}{4}$ "-20 thread can be used to attach to a tripod (with an L-bracket adapter) or any other equipment with  $\frac{1}{4}$ "-20 threads.

## 3. Specifications.

- Eye relief 9mm
- Exit Pupil 19mm
- FOV 26 degrees
- Close Focus 1m
- Apparent visual mag. 9.88
- Weight 375g

Art. Nr. 50354 English Version 07.2017 REV A

